

INTO

the Nordic Silence





We make your office work.

INTO Concept, founded by Finnish designers, interior architect Hanna Gullstén and architect Jari Inkinen, is a furniture company that specializes in support space solutions and modular POD meeting rooms.

With more than 30 years of experience in designing functional workspaces, our INTO the Nordic Silence concept has been created to solve various distractions in open-plan offices and educational environments.

Our designs are inspired by the silence of Nordic nature and the colors of the seasons of the year. By following the Nordic tradition of high-quality and functional design, our pods and furniture create comforting and inviting havens to retreat to during the day.

We believe that everyone deserves a functional and healthy working environment.

Designers & Founders

Jari Inkinen

Hanna Gullstén



INDEX

We make your office work	1	Space dividers	45-46
Index	3	STORY WALL	47
Values	4	STORY WALL HIGH	48
Sustainability	6	STORY WALL LOW	49
		STORY WALL example solutions	50
		STORY WALL accessories	51-54
		STORY WALL active packages	55
POD Rooms	8		
POD characteristics	10	Other accessories	
POD PHONE SMALL & POD PHONE	12-15	Wall Panel	56
POD 1 & POD 2	16-17		
POD 3	18	Standard materials	57-60
POD 4 & POD MAX	19-20	Close-up pictures	61-62
POD add-ons	21	Reference pictures	63-64
Phone booth seating options	22		
POD furniture examples	23-24		
POD ROLL characteristics	25-26		
POD ROLL & POD ROLL GLASS	27-28		
POD ROLL GLASS SMALL	29		
How to place your POD rooms	30		
Tables & Workstations	31-32		
TOP LIFT & TOP	33-34		
FOCUS & ROLL IN	35-36		
Seating	37-38		
CUBE & CUBE SOLO	39-40		
POINT CUP & POINT sofas	41-42		
POINT example solutions	43-44		

CONTACT

INTO Concept Oy

Lemuntie 3-5 C

00510 Helsinki, FINLAND

tel: +358 40 670 7819

contact@intoconcept.com

www.intoconcept.com

INTO

the Nordic Silence

VALUES

CUSTOMER-FIRST

INTO the Nordic Silence furniture concept was created to help our customers; to put our customers first so that they could have healthy and functional working environments. Today, we come to our decisions with the customer in mind.

ENTREPRENEURIAL APPROACH

We encourage an entrepreneurial approach: to seek and find one's own strengths and to constantly develop and look for alternative solutions.

TOGETHER FORWARD

The best result is achieved together. We prefer working closely with one another and as a team with our customers, suppliers, and partners. Teamwork makes a dream work.

CAN-DO ATTITUDE

We aim to the stars and take our team with us. A good attitude and a positive mind keep us going.



INTO

the Nordic Silence

SUSTAINABILITY

ENVIRONMENTAL SUSTAINABILITY

Due to our mission to be a pioneer in the sustainable development of the industry, our principle is to create furniture and accessories of such a high quality that they need never be thrown away. Manufactured in Finnish and Baltic factories, our products comply with the principles of sustainable development and general safety and durability requirements.

MATERIALS

All the materials used in INTO furniture are carefully chosen based on their ability to withstand heavy wear. It is important to us to use materials that are environmental-friendly from their long-lasting life cycle to recycling. Materials used for INTO furniture from fabrics to carpets to POD frames all comply with one or more sustainability certificates or standards. You can find our materials at the end of this brochure, on pages 52-55.

SOCIAL SUSTAINABILITY - FURNITURE FOR WELLBEING

Social sustainability is one of four aspects of sustainability. The main concept behind social sustainability is to create successful and functional places that promote wellbeing by understanding what people need from the places they live and work. INTO furniture can reduce the environmental load generated from office layout changes happening due to changing workspace needs. With our furniture solutions, more versatile, flexible, and multi-functional spaces that endure time can be created.



POD ROOMS

INTO the Nordic Silence POD rooms are originally created for real-life interior projects.

INTO POD rooms are designed and developed by interior architect and architect with decades of experience in designing functional spaces.

Here is why INTO POD rooms are the best in the market:

- Various size options to choose from.
- Timeless and classic design that aims to offer room-like spaces, not just glass boxes, to work in.
- Sound reduction index equals a well-made meeting room built on-site.
- We have tackled both visual and noise pollution to ensure maximal privacy.
- Our adjustable flooring system allows placing the POD rooms anywhere needed.
- Our POD rooms are for everyone.
Low thresholds enable easy usage with or without a wheelchair ramp.
- PODS can easily be placed next to each other without leaving gaps in the corners to collect dust and dirt.

Most importantly, our clean-lined and smart design makes INTO POD rooms timeless and highly adaptable.





SKATTA

POD CHARACTERISTICS

DESIGN

INTO the Nordic Silence products are designed by our INTO design team in Finland. Clean-lined and smart design makes all INTO the Nordic Silence products timeless and highly adaptable.

QUALITY

INTO POD rooms are known for their quality. All used materials are carefully chosen based on their ability to withstand heavy wear typical to public spaces.

ROOM-LIKE APPEARANCE

INTO POD rooms are designed to look like actual rooms to increase user comfort. Our POD rooms have straight corners so they can be placed next to each other without leaving gaps for dust and dirt to gather. Bigger rooms also have floor lamps to bring extra light and coziness.

ACCESSIBILITY

INTO POD rooms are for everyone. As standard, accessibility has been taken into account with the low doorstep, floor, and door width. There is an option to install a wheelchair ramp.

MODERN AUTOMATION

INTO POD rooms are equipped with a motion detector that automatically starts the ventilation and lighting when you walk into the POD. Automation also shuts down everything when the POD is not in use. Bigger POD rooms also include INTO's control system for boosted ventilation and lights.

WHEELS

POD rooms come with installation wheels to help with POD placement.

ACOUSTICS

Sound reduction in INTO POD rooms is one of the best in the market. PODS' excellent sound-damping properties are achieved with acoustic ceiling panels and acoustic wool in the walls. The walls are covered with sound-absorbing carpet. Together these features create high-quality silent spaces.

CAN BE PLACED ANYWHERE

The adjustable raised flooring system allows POD installation on uneven floor surfaces. The floor is covered with carpet, which can be replaced when needed.

EASY INSTALLATION

INTO POD is a modular, free-standing, and fully enclosed room, which can be installed, taken apart, and relocated. The installation doesn't require separate HVAC -installation - simply plug & play.

INDEPENDENT VENTILATION

A standard POD includes a self-contained ventilation system. There is an option to connect the POD to the building's own ventilation system.

PRIVACY

INTO POD rooms tackle both visual and noise pollution to enhance your focus. Our POD rooms have one big glass window wall, making the PODS more room-like, cozy and private.

HANDEDNESS

POD rooms are available both left and right handed.



POD ROOMS

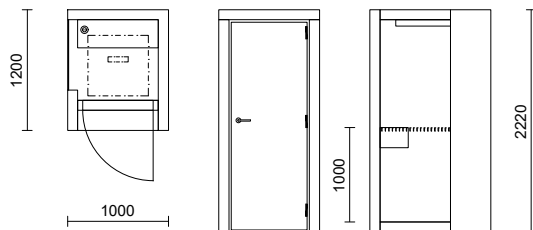
POD PHONE SMALL

POD PHONE SMALL telephone booth improves privacy by providing silent space for phone calls. Despite its compact size, this telephone booth does not lose the sense of space or its visual protection.

All POD rooms are available with multiple surface and door materials. Ceiling panels have various color options and the POD rooms are available both right- and left-handed. Standard materials are displayed in pages 57-60.



Surface: white melamine, door: oak, carpet: medium grey, ceiling panel: light grey.



POD ROOMS

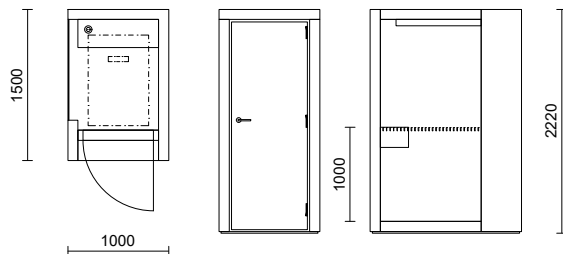
POD PHONE

POD PHONE improves privacy when taking phone calls in adaptable workspaces and office environments. Its insulating structure offers excellent acoustic protection from disruptive sounds. POD PHONE can accommodate a chair.

All POD rooms are available with multiple surface and door materials. Ceiling panels have various color options and the POD rooms are available both right- and left-handed. Standard materials are displayed in pages 57-60.



Surface: black oak, door: American oak, carpet: medium grey, ceiling panel: black.







POD ROOMS

POD 1

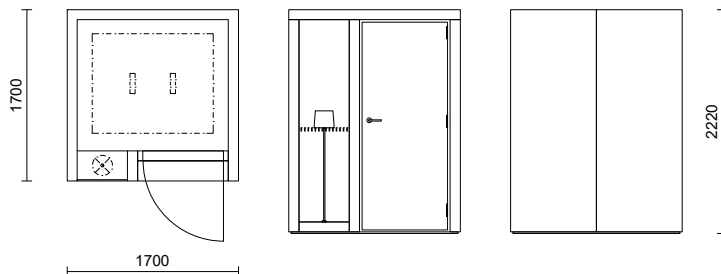
POD 1 is the number one choice for private phone calls and online meetings and is an ideal workspace for tasks that demand focusing. POD 1 with an added wheelchair ramp works as a telephone booth for wheelchair users.

POD 1 is recommended for 1-2 people.

All POD rooms are available with multiple surface and door materials. Ceiling panels have various color options and the POD rooms are available both right- and left-handed. Standard materials are displayed in pages 57-60.



Surface: pine, door: glass, carpet: light grey, ceiling panel: green.



POD ROOMS

POD 2

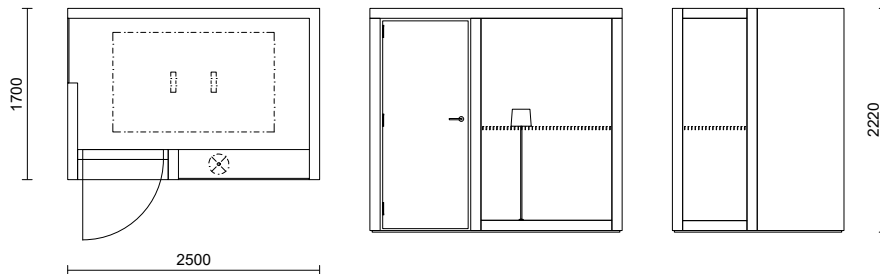
POD 2 meeting room is ideal for spontaneous but confidential meetings and as an adaptable workspace. This small meeting room can be installed without changes on existing structure: or walls, as well as reassembled in another location.

POD 2 is recommended for 2-4 people.

All POD rooms are available with multiple surface and door materials. Ceiling panels have various color options and the POD rooms are available both right- and left-handed. Standard materials are displayed in pages 57-60.



Surface: white melamine, door: white, carpet: light grey, ceiling panel: green.



POD ROOMS

POD 3

The POD 3 is a versatile soundproof workspace, ideal for creating a focused environment or serving as a compact meeting room for collaborative sessions.

POD 3 is recommended for 1-3 people.

All POD rooms are available with multiple surface and door materials. Ceiling panels have various color options and the POD rooms are available both right- and left-handed. Standard materials are displayed in pages 57-60.



Surface: white melamine, door: glass, carpet: dark grey, ceiling panel: green.



POD ROOMS

POD 4

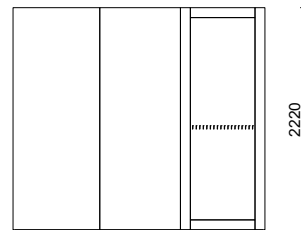
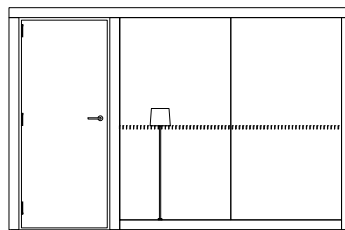
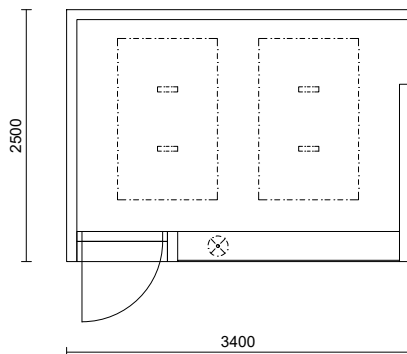
POD 4 meeting room is perfect for private and confidential meetings as well as an adaptable working space. The acoustic protection in this meeting room is excellent due to its insulating structure.

POD 4 is recommended for 4-6 people.

All POD rooms are available with multiple surface and door materials. Ceiling panels have various color options and the POD rooms are available both right- and left-handed. Standard materials are displayed in pages 57-60.



Surface: American oak, door: glass, carpet: light grey, ceiling panel: light grey.



POD ROOMS

POD MAX

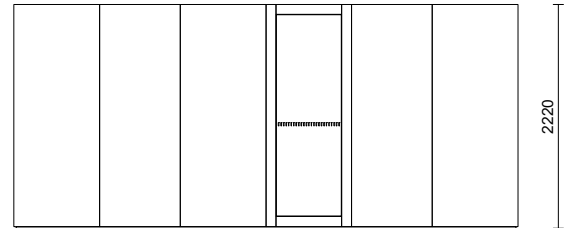
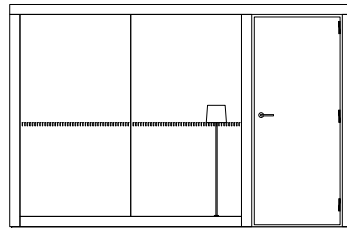
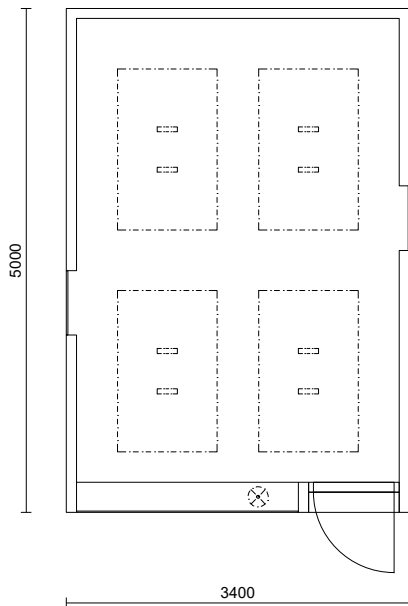
POD MAX is a spacious negotiation room, offering an ideal setting for larger meetings and discussions. Its optimized sound environment ensures a productive and pleasant atmosphere.

POD MAX is recommended for 8-10 people.

All POD rooms are available with multiple surface and door materials. Ceiling panels have various color options and the POD rooms are available both right- and left-handed. Standard materials are displayed in pages 57-60.



Surface: white melamine, door: American oak, carpet: dark grey, ceiling panel: blue.



ADD-ONS FOR POD ROOMS

POD PANELS

INTO POD PANELS help you to create acoustic-friendly environments outside the POD rooms. They come with a quick and easy fastening system and do not leave any traces on POD surfaces. Multiple color options available.



DISPLAY BOX

DISPLAY BOX is a practical accessor specially designed to hold the screen in the POD meeting rooms. Furthermore, this wall solution makes it possible to hide the disruptive cables and remote control.

Please note that the screen and the wall mount brackets are not included.

ACCESSIBILITY SET

A wheelchair ramp can be added to all POD 1-4. There is also an option to add several other features, such as:

- Reservation for automatic door
- Automatic door closer
- Hydraulic door closer
- Kick-plates for door and/or walls
- Vertical and/or horizontal bar handles



OTHER ADD-ONS

- Air cooling device
- Clothing hook
- Eletronical lock system
- Booking system
- Smart glass
- USB charger
- Extra sockets
- AV systems (web camera, microphone)

SEATING OPTIONS FOR PHONE BOOTHS

BALANCING STOOL

Height adjustable balancing tool, perfect for either POD PHONE or POD PHONE SMALL. Different colour options up on request.



ADJUSTABLE STOOL

Height adjustable elegant stool. Sturdy structure, perfect for either POD PHONE or POD PHONE SMALL. Different colour options up on request.

SOFT STOOL

Elegant soft stool. Sturdy structure, high quality fabrics perfect for either POD PHONE or POD PHONE SMALL. Different colour options up on request.



FURNITURE EXAMPLES FOR INTO POD ROOMS

POD PHONE



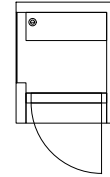
PHONE ALONE

A classic and timeless phone booth that retains privacy and prevents sound from escaping.

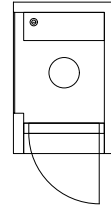
FURNITURE

Picture B: Active stool

A: POD PHONE SMALL



B: POD PHONE



POD 1



PRIVATE WORK

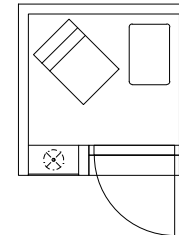
Private workspace for 1 person when peace and quiet are needed for work that requires focus.

FURNITURE

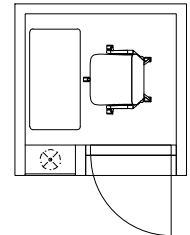
Picture A: POINT LOW 500, TOP LIFT 400x600

Picture B: TOP LIFT 500x1000, office chair

A: POD 1



B: POD 1



FURNITURE EXAMPLES FOR INTO POD ROOMS

POD 2



THINK TANK

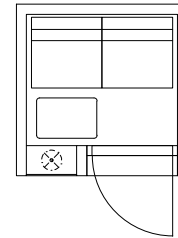
Creative space for 2 - 3 people. Furnished with cozy sofas and a height-adjustable table.

FURNITURE

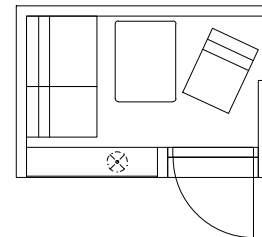
Picture A: 2 x POINT LOW 700,
TOP LIFT 400x600

Picture B: 2 x POINT LOW 500,
POINT LOW 700, TOP 600x800

A: POD 1



B: POD 2



POD 4



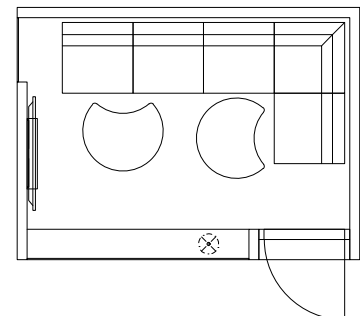
TEAMWORK

A meeting room for teamwork. Furnished with sofas and side tables, as well as a display stand to support online meetings.

FURNITURE

Picture A: 4 x POINT LOW 700,
POINT LOW CORNER, 2 x TOP LIFT CURVE,
DISPLAY BOX

A: POD 4



POD ROLL CHARACTERISTICS

POD ROLLS

POD ROLLS are ideal as adaptable space dividers and ad-hoc meeting points between breakout areas and office spaces. They can also be used in entrance halls to create sheltering workspaces for visitors. POD ROLLS are modular and movable freestanding rooms, which can be relocated by only moving them with bare hands. The installation doesn't require a separate HVAC installation -simply plug & play.

The seating measurements of the sofas are ergonomic and support healthy working positions.

POD ROLL ACOUSTICS

POD ROLL's sound-friendly qualities are achieved with the acoustic ceiling and wall panels, which are covered with high-class acoustical upholsteries. During test conditions, the POD ROLLS have good speech intelligibility. An optional glass door provide even better comfort.

MODERN AUTOMATION

INTO POD rooms are equipped with a motion detector that automatically starts the possible ventilation and lighting when the POD is occupied. Automation also shuts down everything when the POD is not in use.

FLOOR STRUCTURE

POD ROLL has wheels so that it can be easily moved and turned around on the premises. The floor covering is carpet, which can be replaced if needed.

COLOR OPTIONS FOR EXTERIOR

Standard color finishing options are white and grey. Customized colors and veneers are possible to the client's choice.

OPTIONS FOR INTERIOR

There is a range of fabrics with a variety of color options creating a pleasant acoustic environment to work in.

SOCKETS

POD ROLLS have sockets integrated into the tabletop as well as under the table.

VENTILATION

POD ROLLS do not need ventilation as they are open and semi-open solutions. POD ROLL GLASS as a closed solution has independent ventilation.

GLASS WALL

Laminated sound control glass wall includes INTO stripe manifestation design as standard delivery. Manifestation design can be tailored to match the client's brand identity when requested.

There is a possibility to attach a screen stand to the table.



INTO
The World Starts Here

POD ROLL

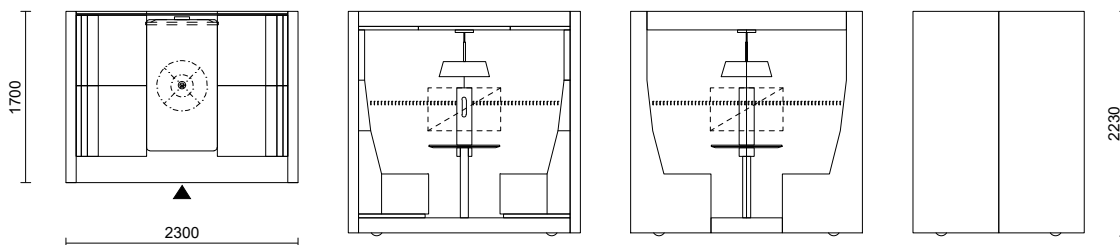
POD ROLL

POD ROLL is a smart and compact solution for spontaneous meetings and independent work. POD ROLL includes built-in lighting, electrical socket on the tabletop and a screen holder. Because of its wheels, it can be easily moved and turned around within the premises.

Standard materials are displayed in pages 57-60.



Surface: white melamine, carpet: dark grey.



POD ROLL

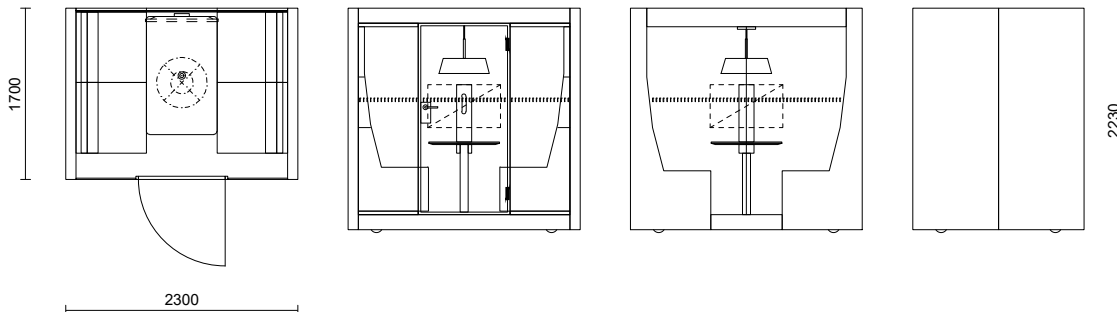
POD ROLL GLASS

POD ROLL GLASS is perfect for ad hoc meetings, work that needs focusing, and as a space divider and added seating space. Due to its wheels, POD ROLL GLASS can be easily moved and turned around within the premises. It includes built-in lighting, electrical socket on the tabletop and a screen holder.

Standard materials are displayed in pages 57-60.



Surface: white melamine, carpet: dark grey, door: glass.



POD ROLL

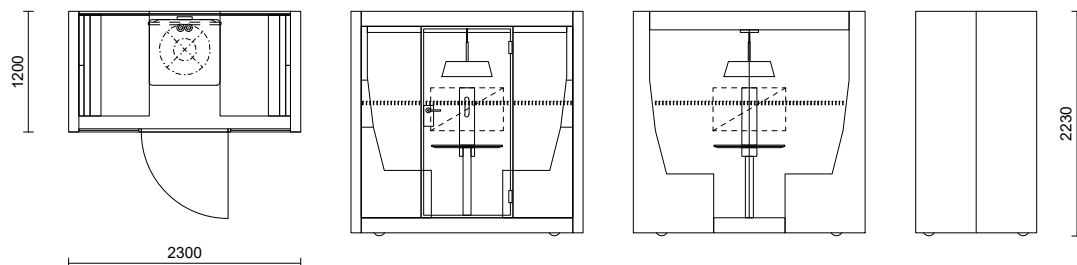
POD ROLL GLASS SMALL

POD ROLL GLASS SMALL is a quiet meeting pod for two people, ideal for spontaneous meetings. Due to its wheels, POD ROLL GLASS SMALL can be easily moved and turned around within the premises. It includes built-in lighting, electrical socket on the tabletop and a screen holder.

Standard materials are displayed in pages 57-60.



Surface: white melamine, carpet: dark grey, door: glass.



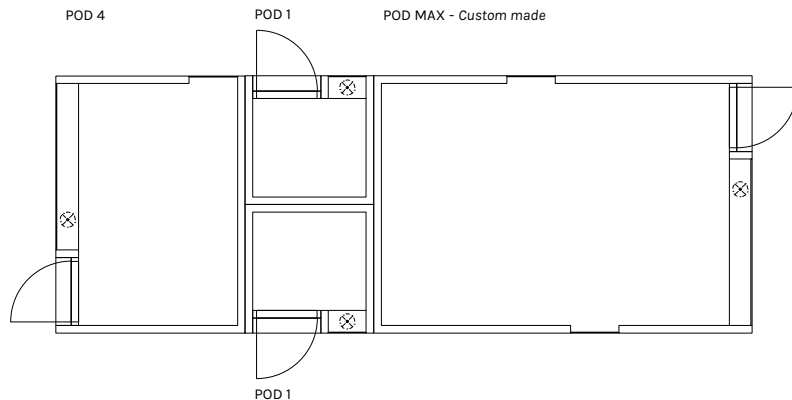
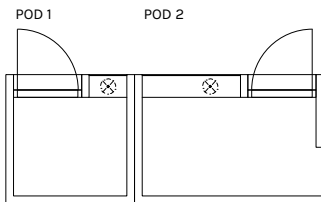
HOW TO PLACE YOUR POD ROOMS

INTO the Nordic Silence furniture concept was created to heal traditional open offices having challenges with noise to more focus-minded and functional working environments. INTO POD rooms increase both working comfort and productivity by providing cozy room-like acoustic and visual shelters. The most important thing in placing POD rooms is to place them close to the users so that they can be easily accessed. Especially important with phone booths is to place them into central areas so that they can be entered quickly.

POD rooms are meant to be used. You should have enough PODs of different sizes to serve various needs. POD PHONE telephone booths are ideal for quick calls. POD 1 & POD 2 are compact solutions for spontaneous meetings and independent work. PODs 2-4 are optimal for collaboration and teamwork, and POD 4 is a perfect meeting room.

In summary:

- Close to the users
- Phone booths to the central areas
- Right amount
- Diverse sizes
- POD rooms can be used as space dividers



POD rooms can be positioned against each other due to their smart design. A straight-lined design means no gaps to gather dust or dirt.

TABLES & WORKSTATIONS

INTO tables and workstations are created to increase functionality and diverse usage of different spaces. They are perfect for entry halls, office spaces, educational environments, and private homes.

Why choose INTO tables and workstations?

- Perfect as drop-in workspaces.
- Use them to create spaces for quiet, individual work, or as space dividers.
- These ergonomic work stations can be used as a shelter against visual and noise pollution.

First and foremost, our tables and workstations enable flexible space planning for all needs.



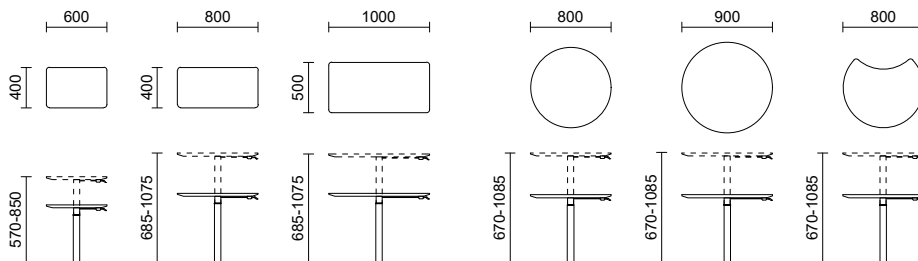


TABLES & WORKSTATIONS

TOP LIFT

TOP LIFT tables support the INTO the Nordic Silence furniture family. With their adjustable base, TOP LIFT tables make it easy to change your working position. The adjustable leg functions with a gas spring, so there is no need for electricity.

Standard materials are displayed in pages 57-60.

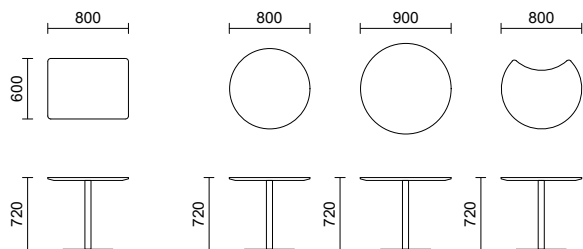


TABLES & WORKSTATIONS

TOP

Our selection of TOP tables complements and supports the INTO the Nordic Silence product family. Visually slender but structurally steady table solutions enable ergonomic and flexible work.

Standard materials are displayed in pages 57-60.

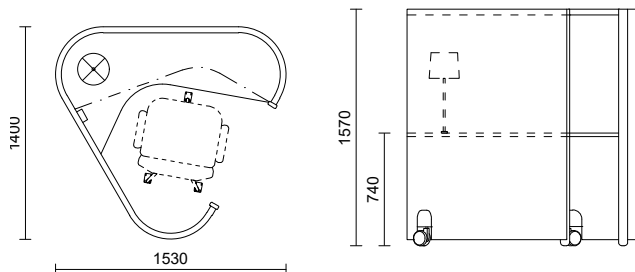


TABLES & WORKSTATIONS

FOCUS

This private workstation on wheels provides both visual haven and true peace of mind while working. It has fixed lighting as well as an electrical socket to charge your electrics.

Standard materials are displayed in pages 57-60.

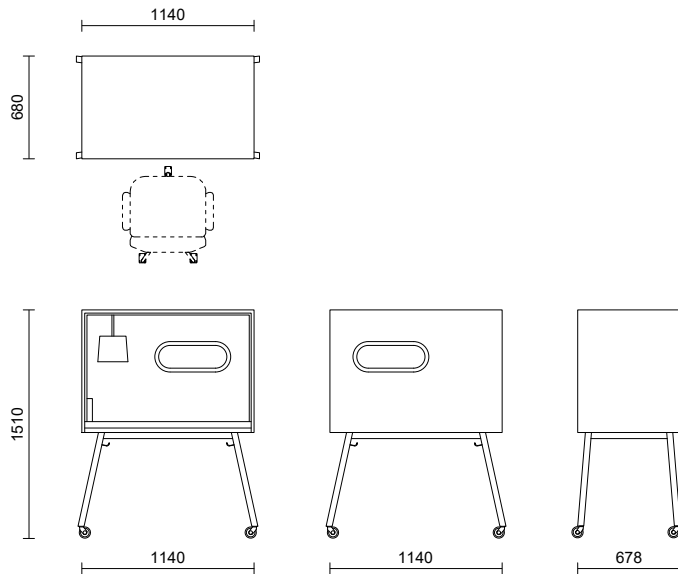


TABLES & WORKSTATIONS

ROLL IN

ROLL IN is a workstation on wheels that offers a handy haven for those who need to focus in private during their workday. It includes fixed lighting, a built-in electrical socket as well as a hook to hold a bag.

Standard materials are displayed in pages 57-60.



SEATING

INTO seating furniture is created to bring people together and to support collaboration.

Our selection provides inviting solutions for working and learning environments.

Reasons to choose INTO seating furniture:

- Seating furniture is made for work and designed to withstand heavy wear typical to public spaces.
- Ergonomics have been taken into account with seating measurements that bases on standard office chair heights and sturdy structure to support healthy working positions.
- Electronical sockets can be integrated.
- Durable and comfortable materials that endure time.

Above all, we made things easy for you: choose a ready-made package solution or create the couch combination for your individual needs.



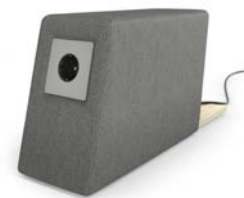
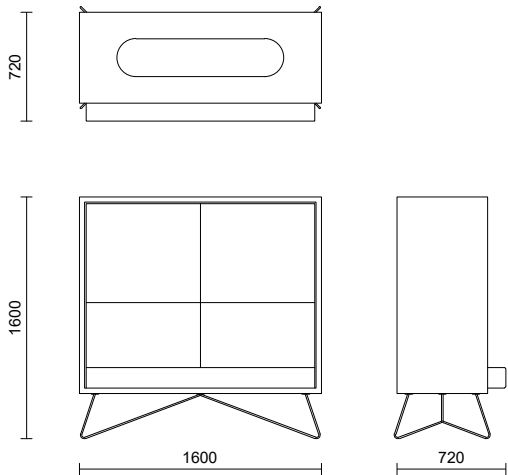


SEATING

CUBE

CUBE is an ideal solution for tiny spaces. This sheltered lounge sofa provides visual privacy with an acoustically friendly and comfortable environment. The ceiling has an opening for natural light to shine in.

Standard materials are displayed in pages 57-60.



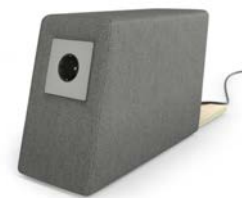
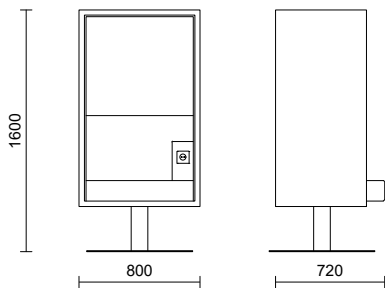
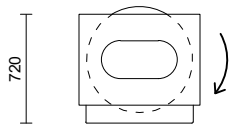
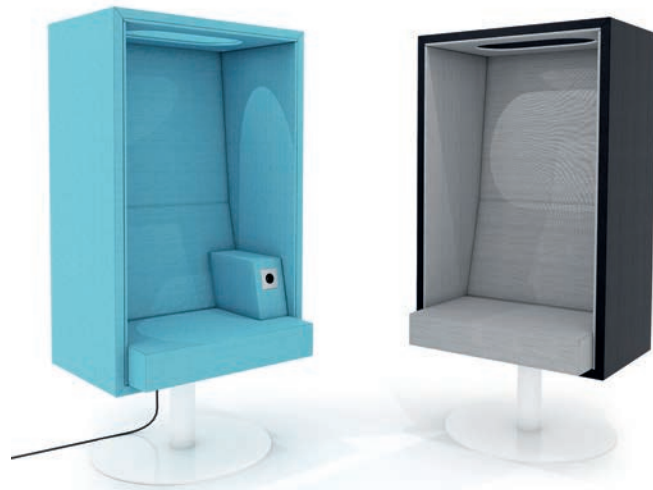
Option to add an armrest with a socket.

SEATING

CUBE SOLO

CUBE SOLO is a rotating and sheltering chair for one person. It provides visual privacy within an acoustically friendly and comfortable environment. There is an opening in the ceiling for natural light to shine in.

Standard materials are displayed in pages 57-60.



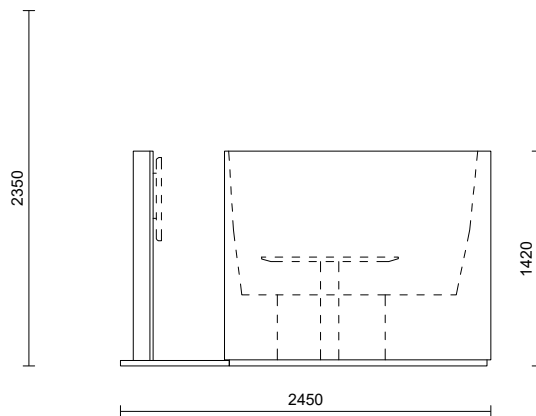
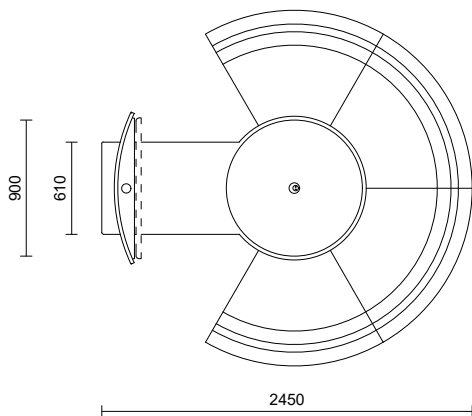
Option to add an armrest with a socket.

SEATING

POINT CUP

POINT CUP office booth is a sound-friendly 360-degree furniture solution that offers a comfortable space for teamwork and video conferences. The sofa modules of POINT CUP are upholstered with fabric and the backside of the screen wall is felt. The table includes an integrated electrical socket.

Standard materials are displayed in pages 57-60.



SEATING

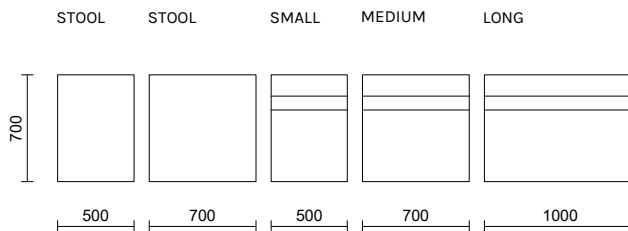
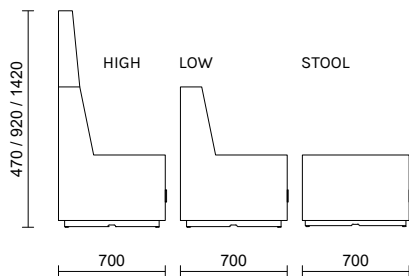
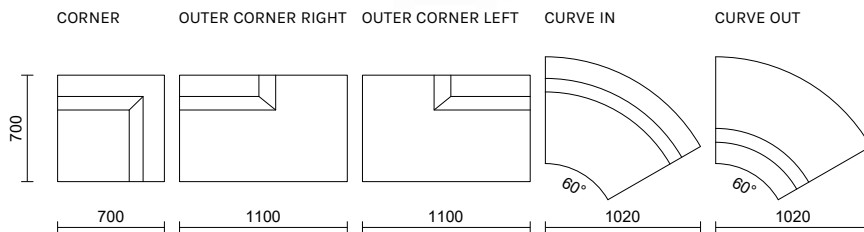
POINT SOFA MODULES

POINT is a flexible furniture solution for working and relaxing in offices, lounge environments, and entry halls. POINTS are individual sofa modules made of durable and comfortable materials that can be combined to create countless sofa combinations.

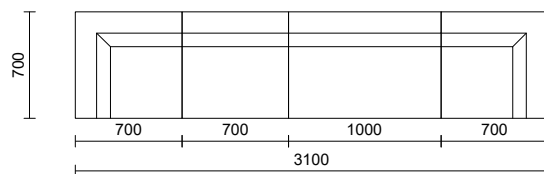


POINT sofas are available with wheels and height adjustable legs.
Note! Height with wheels is 480mm.

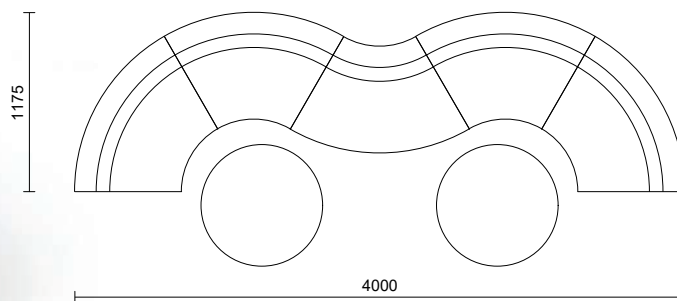
Standard materials are displayed in pages 57-60.



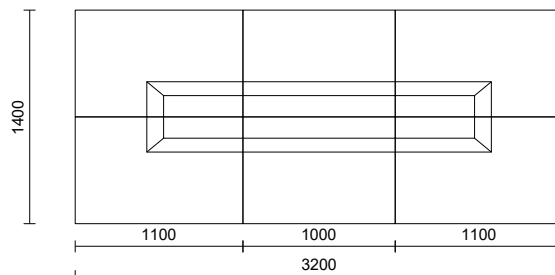
EXAMPLES OF POINT SOFA SETS



POINT LOW CORNER x 2, POINT LOW 700, POINT LOW 1000 with socket



POINT CURVE IN HIGH x 4, POINT CURVE OUT HIGH x 1, TOP tables x 2



POINT OUTER CORNER LOW LEFT x 2, POINT OUTER CORNER LOW RIGHT x 2, POINT LOW 1000 x 2



SPACE DIVIDERS

Our acoustic space dividers create a pleasant sound environment, divides spaces, and provides space for creativity.

Why choose INTO space dividers?

- Beautiful timeless design fits any space.
- Due to built-in wheels, the space dividers can be moved and rotated around the premises.
- Create wall units by attaching the space dividers to each other with strong magnets.
- Durable and comfortable materials that endure time.





SPACE DIVIDERS

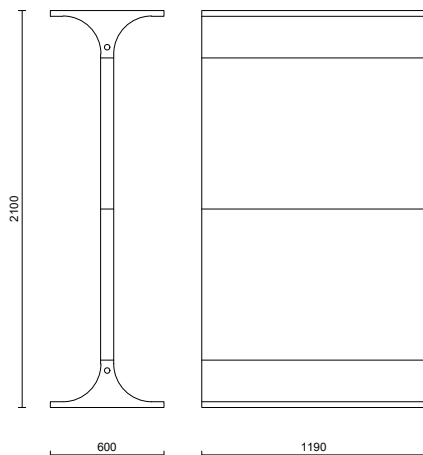
STORY WALL

The multi-purpose STORY WALL is an acoustical space divider that adapts to whatever space you're in. STORY WALL can be conveniently moved and turned around because of the wheels underneath. The walls attach to each other easily with strong magnets.

Option for add-on features such as whiteboard and tv bracket to make your STORY WALL a multi-functional idea wall.

Standard materials are displayed in pages 57-60.

STORY WALL accessories are displayed in pages 51-54.



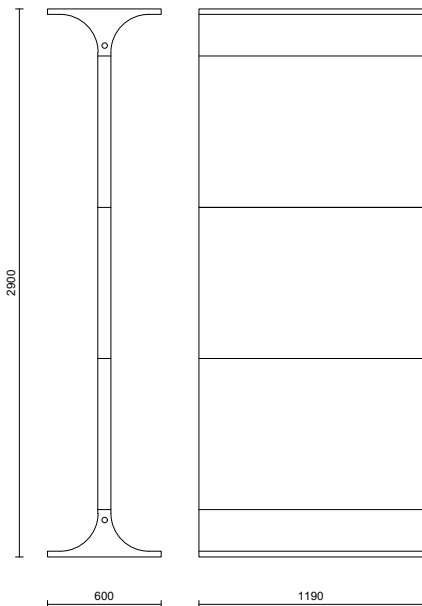
SPACE DIVIDERS

STORY WALL HIGH

Standing taller than the original STORY WALL space divider, STORY WALL HIGH offers enhanced privacy and sound absorption. Its modular design allows adjacent wall units to be effortlessly connected through built-in fittings, making it easy to create room-like areas within environments.

Option for add-on features to make your STORY WALL a multi-functional idea wall.

Minimum order quantity 2 pieces.



Standard materials are displayed in pages 57-60.

STORY WALL accessories are displayed in pages 51-54.

SPACE DIVIDERS

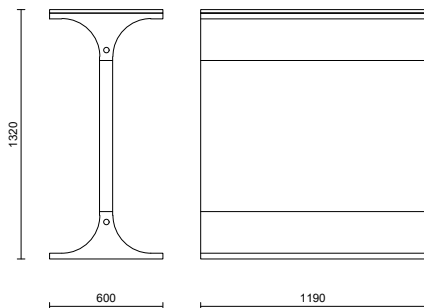
STORY WALL LOW

STORY WALL LOW is child-friendly acoustic space divider with felt. It ensures visibility for adults while providing a safe and comfortable way to divide spaces. The units connect easily via integrated fittings, and built-in wheels allow effortless movement and rotation.

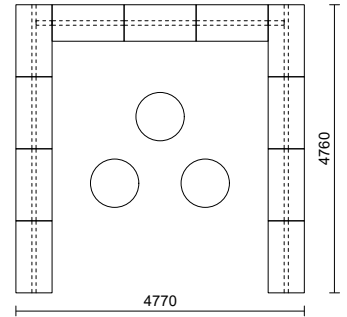
Option for add-on features to make your STORY WALL a multi-functional idea wall.

Standard materials are displayed in pages 57-60.

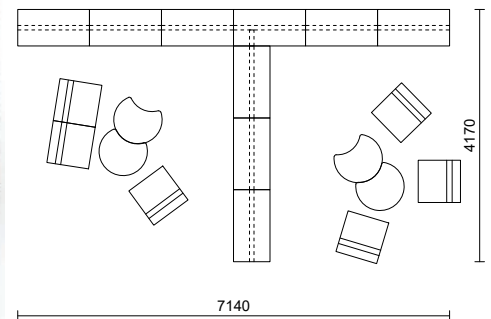
STORY WALL accessories are displayed in pages 51-54.



STORY WALL EXAMPLE SOLUTIONS



TOP LIFT ROUND x 3, STORY WALL x 11, CORNER PIECE x 2, WHITEBOARD x 8



TOP CURVE x 4, STORY WALL x 9, CORNER PIECE x 1, WHITEBOARD x 4, POINT SOFAS x 6

STORY WALL ACCESSORIES

WHITEBOARD

Convert your STORY WALL into an inspiration board with whiteboards. The whiteboard is easy to attach to the STORY WALL with a magnet, and multiple whiteboards can be attached side by side. There is an option for 1-4 whiteboards as add-on pieces.

Size for one whiteboard is 1120 x 790 mm.



TV BRACKET

Turn your space divider into a stylish screen holder. TV Bracket comes with a marker tray that has an extend cord holder.

Holds a screen of maximum "42.



MARKER TRAY

Make working more efficient with a handy STORY WALL marker tray to place under the whiteboard.

Size for one marker tray is 1119 x 101 mm.



STORY WALL ACCESSORIES

MAGAZINE HOLDER

Place your magazines and brochures on display in the STORY WALL magazine holder.

Size for one magazine holder is 215 x 305 mm. holder is 1120 x 790 mm.



DARTBOARD

Take a break from work and play with STORY WALL dartboard. The dartboard is easily attached to the STORY WALL with a magnet and includes five darts.

Size for one dartboard is 1120 x 790 mm.

BASKETBALL HOOP

Make your office or school environment more fun with STORY WALL basketball hoop. Basketball hoop comes with one small basketball.

Size for one basketball hoop is 559 x 395 mm.



STORY WALL ACCESSORIES

BASKETBALL HOLDER

Conveniently place your small basketball in the STORY WALL basketball holder.

Size for one basketball holder is 215 x 150 mm.



SHORT SHELF

Place your items and decorations on STORY WALL short shelf.

Size for one short shelf is 560 x 240 mm

LONG SHELF

You can use STORY WALL long shelf to display your items, plants and decorations.

Size for one long shelf is 1118 x 241 mm.



STORY WALL ACCESSORIES

SHORT COAT HANGER

Hang your clothes and bags on STORY WALL short coat hanger. The short coat hanger has two jacket hooks.

Size for one short coat hanger is 215 x 151 mm.



LONG COAT HANGER

Hang your clothes and bags on STORY WALL long coat hanger. The long coat hanger has nine jacket hooks.

Size for one long coat hanger is 1120 x 790 mm.



CUP HOLDER

Free your desk from clutter and place your cups on STORY WALL cup holder. Small cup holder holds two cups.

Size for one cup holder is 215 x 149 mm.

The diameter of the hole is 70 mm.



STORY WALL ACTIVE PACKAGES



STORY WALL DRAW

The STORY WALL active wall consists of one basic wall element and various accessories. The draw package includes a whiteboard and marker tray,

STORY WALL HOOP

The STORY WALL active wall consists of one basic wall element and various accessories. The draw package includes a whiteboard and marker tray,



STORY WALL AIM

The STORY WALL active wall consists of one basic wall element and various accessories. The draw package includes a whiteboard and marker tray,

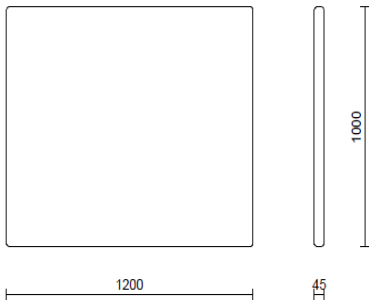
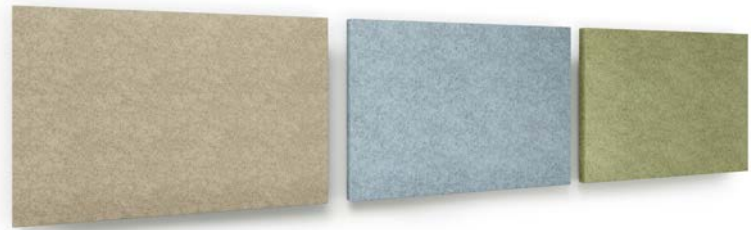


OTHER ACCESSORIES

WALL PANEL

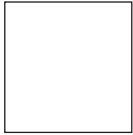
The wall panels can be easily mounted to existing walls, providing a simple solution to enhance acoustics in any space. In addition to improving sound quality, they add a vibrant touch of color into the environment.

Standard materials are displayed in pages 57-60.



STANDARD MATERIALS

SURFACE FINISHES: PODS, ROLL IN



White
melamine



Dark grey
melamine



Pine
veneer



American oak
veneer

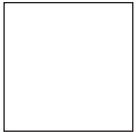


Black oak
veneer



The mark of
responsible forestry

DOOR OPTIONS: PODS



White
painted



American oak

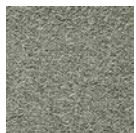


Clear glass 10 mm

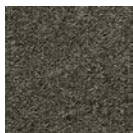
comes with white door panels

CARPETS: PODS

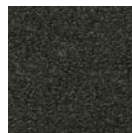
FLETCO: Ex-dono Quartet



393300



393340



393350





STANDARD MATERIALS

FABRICS: POD ROLLS, POINT sofas, POINT CUP, CUBE, CUBE SOLO

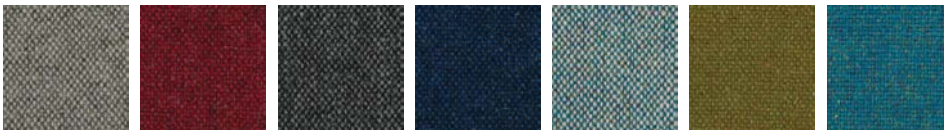
NEVOTEX: Wooly



2256 Ivory melange
 2301 Marsala
 1011 Bottle green
 228881 Lapis
 1000 Light grey
 2279 Ocean
 1001 Anthracite



CAMIRA: Main Line Flax



MLF02 MLF14 MLF16 MLF19 MLF24 MLF67 MLF37



DELFOF FR: Pyton - Flame retardant synthetic with leather grain emboss.



0796 Negro 1112 Smoke 0793 Mocca 1168 Cashmere



GABRIEL: Grain



61247 62123 64251 66233 68258 60323



STANDARD MATERIALS

GABRIEL: SOUL - Panel fabric for ROLL IN, POD PANELS, POD CEILING PANELS, WALL PANELS

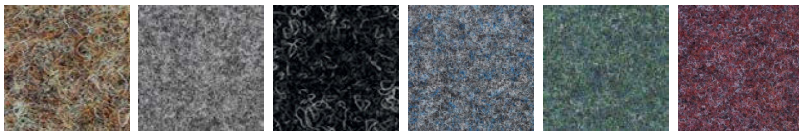


66104 67039 68131 64086 62059 61196 60182



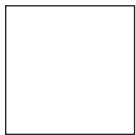
FELT: FOCUS, STORY WALL, POINT CUP

FILZFABRIC: Fulda Fit



37 61 69 52 85 16

TABLE PAINT: TOP tables



NCS S 0500-N
Structural

TABLE STEEL TUBE BASE: TOP tables



RAL 9016 White RAL 9005 Black

Black or white laminate as an alternative.

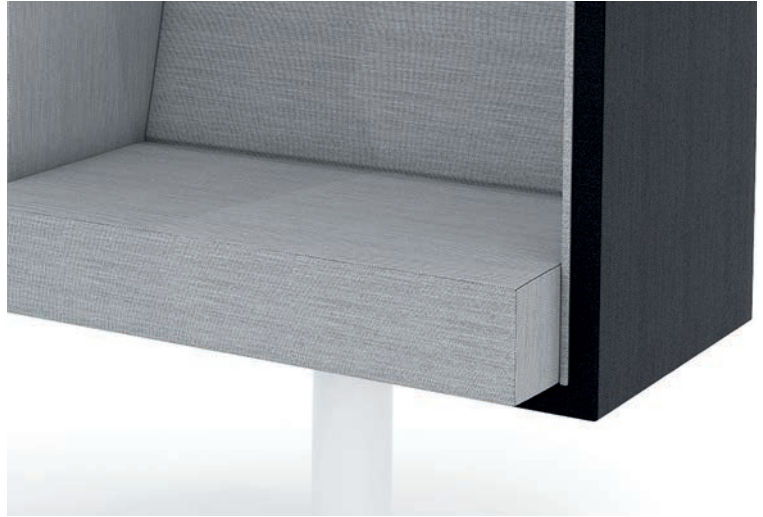
INTO

the Nordic Silence



INTO

the Nordic Silence



INTO

the Nordic Silence



INTO

the Nordic Silence



INTO the Nordic Silence

www.intoconcept.com

contact@intoconcept.com

INTO Concept reserves a right to make changes to the product portfolio and alter technical specifications without notice. Batch to batch variations may occur within commercial tolerance.

Front cover reference picture:
Trimble Headquarters, Finland

Back cover reference picture:
Finance company, Finland

05/2025

